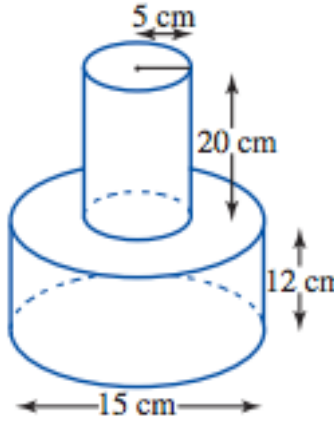
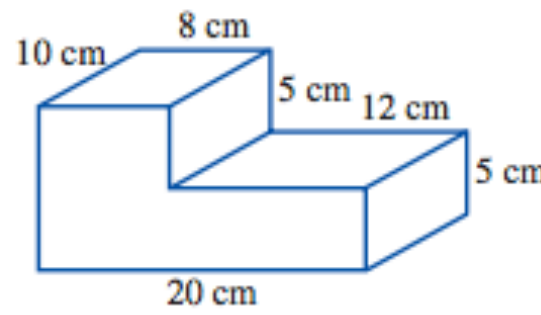
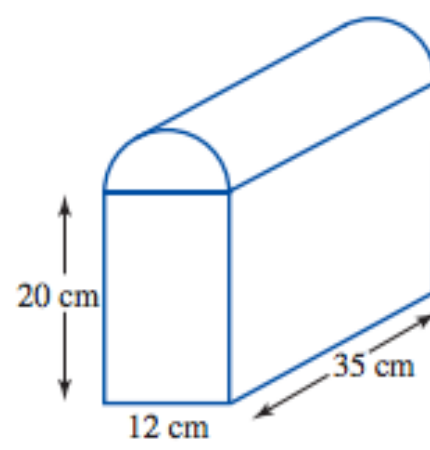
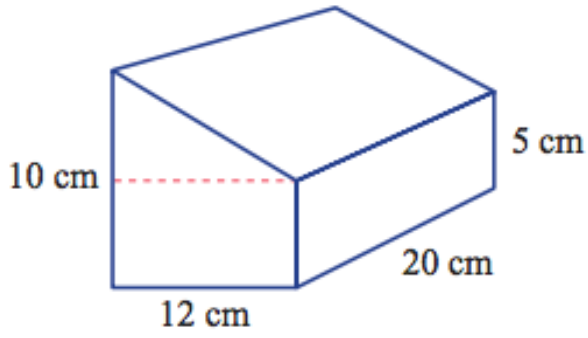
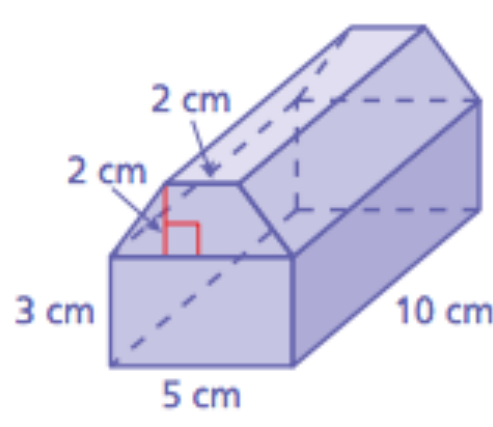




Volume of Composite Solids

1 Find the volume of the following composite solid

a) 	b) 
c) 	d) 
e) 	f) 