
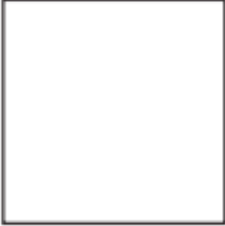
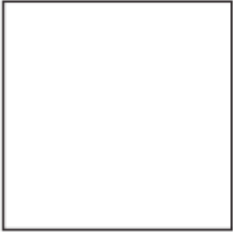



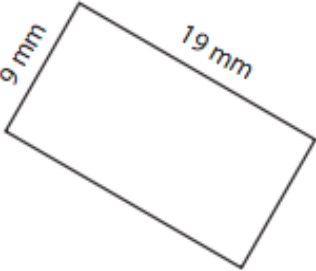



Area of Triangles and Quadrilaterals

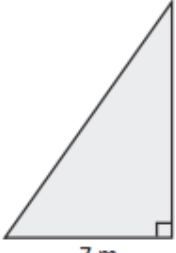
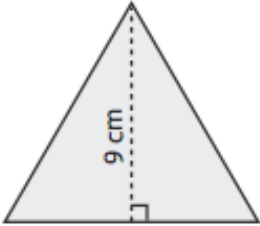
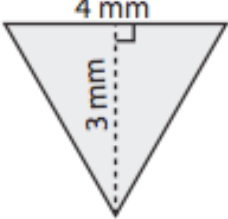
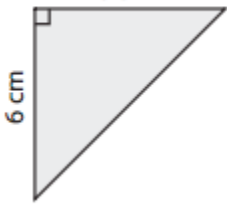


1 Find the area of these squares

a)  27 m	b)  50 mm	c)  11.2 cm
--	---	---

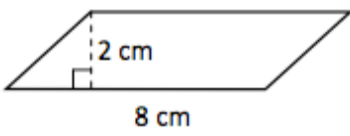
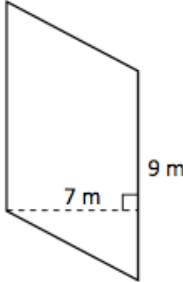
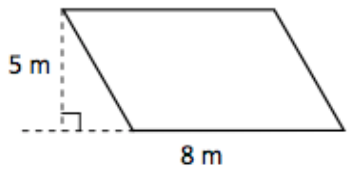
2 Find the area of these rectangles.

a)  25 cm 22 cm	b)  9 mm 19 mm	c)  8.2 m 14.8 m
---	--	--

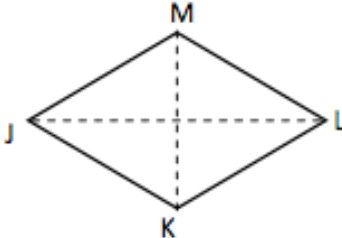
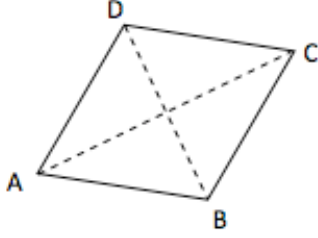
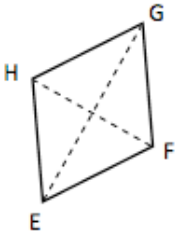
3 Find the area of these triangles.

a)  10 m 7 m	b)  9 cm 12 cm	c)  4 mm 3 mm
d)  6 cm 6 cm	e)  5 mm 10 mm	f)  10 cm 8 cm

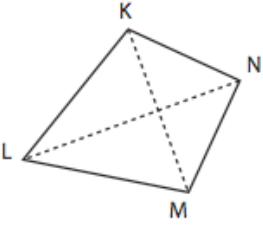
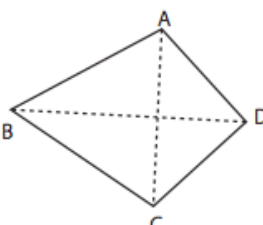
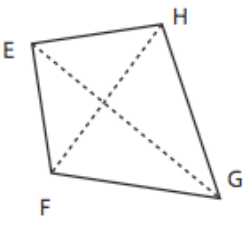
4 Find the area of these parallelograms

<p>a)</p>  <p style="text-align: center;">8 cm</p>	<p>b)</p>  <p style="text-align: center;">7 m 9 m</p>	<p>c)</p>  <p style="text-align: center;">5 m 8 m</p>
---	---	---

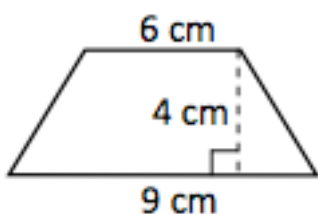
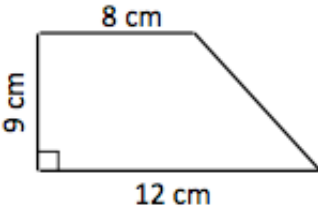
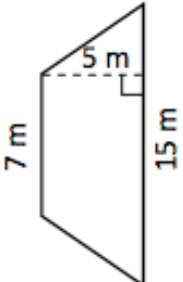
5 Find the area of these rhombuses

<p>a)</p>  <p style="text-align: center;">JL = 12 cm MK = 8 cm</p>	<p>b)</p>  <p style="text-align: center;">AC = 10 cm DB = 8 cm</p>	<p>c)</p>  <p style="text-align: center;">HF = 5 cm EG = 7 cm</p>
--	--	---

6 Find the area of these kites.

<p>a)</p>  <p style="text-align: center;">LN = 10 cm KM = 6 cm</p>	<p>b)</p>  <p style="text-align: center;">BD = 12 cm AC = 7 cm</p>	<p>c)</p>  <p style="text-align: center;">FH = 9 cm EG = 11 cm</p>
--	--	--

7 Find the area of these trapezia

<p>a)</p>  <p style="text-align: center;">6 cm 4 cm 9 cm</p>	<p>b)</p>  <p style="text-align: center;">8 cm 9 cm 12 cm</p>	<p>c)</p>  <p style="text-align: center;">5 m 7 m 15 m</p>
---	---	--